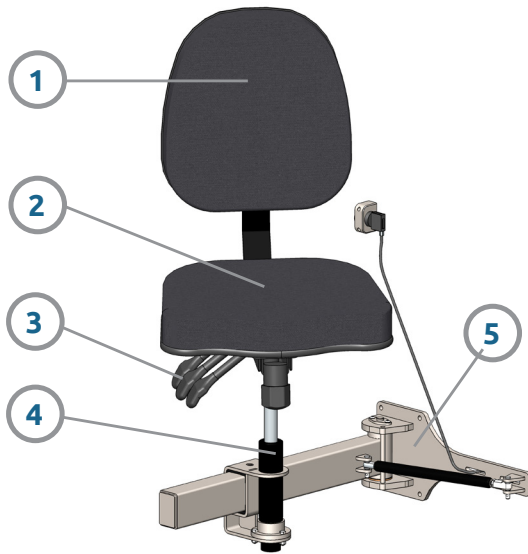


ZOOM

Industrial vinyl

508-00050



Industrial chair for work while seated in a vehicle at desk height.



Covering specification:

- Easy to clean
- Greener manufacturing method
- Anti-bacterial
- High abrasion resistance



Work surface height between 25" & 30" (63 cm & 76 cm)



Maximum weight: 280 lbs (127 kg)



Recommended operating time: 6h to 8h/day

FEATURES

1



BACKREST (502-00027)

- ✓ 3" (8cm) height adjustment «Floating without interval»
- ✓ Backrest adjustment range 16" to 19" (41 cm to 48 cm)
- ✓ Ergonomic padded backrest 16"W x 14"H (41 cm W x 35.5 cm H)

2



SEAT (504-00024)

- ✓ High resilience Velva foam
- ✓ Profiled seat 19.75"W x 16"D x 2"H (50 cm W x 41 cm D x 5 cm H)

3



MULTI TILT MECHANISM (510-00005)

- ✓ Mechanism type «Floating without interval»
- ✓ Floating spring tension adjustment
- ✓ Seat height adjustment
- ✓ Seat angle adjustment
- ✓ Backrest angle adjustment

4



SEAT HEIGHT ADJUSTMENT (DMPA0362)

- ✓ Swivel cylinder 140 mm 18,5"-23,5" (45,7 cm-58,4 cm)

5



BASE (500-00018)

- ✓ Industrial steel 6" L x 20.5" P x 6" H (15 cm L x 52 cm P x 15 cm H)
- ✓ Wall mounting 7" H x 17.75" L (17.8 cm H x 43.2 cm L)



More options on the back to optimize your chair



450 759-9449



info@synetikergodesign.com

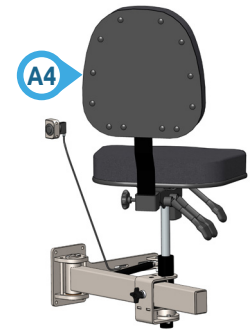
www.synetikergodesign.com

R00

Synetik
ErgoDesign

A BACKRESTS

- A1 Medium format 16"W x 14"H (41 cm W x 35.5 cm H) (502-00026)
- A2 X-large format 17.5"W x 21"H (44.5 cm W x 53 cm H) (502-00038)
- A3 Medium format with ABS shell 16"W x 14"H (41 cm W x 35.5 cm H) (502-00025)
- A4 Large format with ABS shell 16"W x 17"H (41 cm W x 43 cm H) (502-00063)
- A5 X-Large format with ABS shell 17.5"W x 21"H (44.5 cm W x 53 cm H) (502-00039)



B ARMREST

- B1 Tilting backwards with height adjustment (506-00009)

C SEATS

- C1 Large format 24"L x 19,5"P x 5"H (61 cm L x 50 cm P x 13 cm H) (504-00005)

D SEAT HEIGHT ADJUSTMENT

- D1 Swivel cylinder 80 mm 16.5"-19" (41 cm-48 cm) (DMPA0366)
- D2 Swivel cylinder 140 mm 19.25"- 24.25" (48 cm-60 cm) (DMPA0362)
- D3 Swivel cylinder HD 100 mm 17" to 20" (43 cm-51 cm) (DMPA0736)
- D4 Swivel cylinder HD 140 mm 19.25"- 24.25" (48 cm-60 cm) (DMPA0737)

